



Bobcat®

One Tough Animal.

ELECTRIC FORKLIFTS

NXE-Series, 8.0 to 10.0 ton capacity

🌐 EMEA



HIGH CAPACITY, HIGH PERFORMANCE: BOBCAT'S B80NS-SERIES FORKLIFTS

Bobcat's 8-10t B80NS-Series electric forklifts are high-capacity, powerful, and built for demanding applications. Offering exceptional visibility and advanced comfort and productivity features as standard, these forklifts also reduce total cost of ownership, making them a valuable asset to your business.

At Bobcat, we understand the importance of having the right products and services.
For more information, contact your local dealer or visit: www.bobcat.com.



MAIN SPECIFICATIONS

| TECHNICAL DATA ACCORDING TO VDI 2198 | | | | |
|---|-------|--------------------|--------------|--------------|
| | | B80NSC | B80NS | B100NS |
| Power unit | | battery | | |
| Load capacity / rated load (kg) | Q | 8 000 | | 10 000 |
| Load center (mm) | c | 600 | 900 | 600 |
| Load distance, center of drive axle to fork (mm) | x | 695 | | |
| Wheelbase (mm) | y | 2 835 | | |
| Service weight (with min. weight of battery) (kg) | | 13 270 | 13 700 | 13 710 |
| Tread, front (mm) | b11 | 1 428 – 1 490 | 1 490 | |
| Tread, rear (mm) | b12 | 1 310 | | |
| Tilt of mast / fork carriage forward / backward (°) | α/β | 5 / 8 | | |
| Height, mast lowered ¹ (mm) | h1 | 2 730 – 4 000 | | |
| Free lift ¹ (mm) | h2 | 1 480 – 2 350 | | |
| Lift height ¹ (mm) | h3 | 3 300 – 7 000 | | |
| Height, mast extended ¹ (mm) | h4 | 4 550 – 8 330 | | |
| Height of overhead guard (mm) | h6 | 2 755 | | |
| Height of seat (mm) | h7 | 1 405 | | |
| Overall length (mm) | l1 | 5 100 | 5 700 | 5 100 |
| Length to forkface (mm) | l2 | 3 900 | | |
| Overall width (mm) | b1/b2 | 1 760 – 1 930 | 1 930 | |
| Fork dimensions (mm) | s/e/l | 60×200×1 200 | 70×200×1 800 | 70×200×1 200 |
| Ground clearance, unloaded, below mast (mm) | m1 | 180 | | |
| Ground clearance, center of wheelbase (mm) | m2 | 155 | | |
| External turning radius (mm) | Wa | 3 150 | | |
| Travel speed, loaded / unloaded (km/h) | | 14 / 15 | 13 / 15 | 13 / 14 |
| Lift speed, loaded / unloaded (mm/s) | | 380 / 420 | | 310 / 330 |
| Lowering speed, loaded / unloaded (mm/s) | | 500 / 400 | | |
| Max. gradeability, loaded / unloaded (%) | | 11 / 19 | | 9 / 17 |
| Service brake | | hydraulic | | |
| Battery voltage, nominal capacity k5 (V/Ah) | | 96 / 1 085 – 1 550 | | |
| Type of drive control | | electronic in AC | | |
| Noise level at the operator's ear | | 70 | | |

Specification values quoted in this specification sheet have been rounded. Performance may vary depending on operating conditions. Products and specifications are subject to improvement and change without prior notice.

¹ Mast dimensions refer to a range from the lowest to highest available mast with load backrest.

Note: Load capacities are based on the standard chassis without side shifter.

STANDARD EQUIPMENT & OPTIONS

STANDARD EQUIPMENT & OPTIONS

SAFETY

| | |
|---|---|
| OSS (Operator Sensing System) | ✓ |
| Easy entry grab bar | ✓ |
| Large entry step with anti-slip pattern | ✓ |
| Electronic parking brake | ✓ |
| Front LED Lights | ✓ |
| Cornering speed control | ✓ |
| Emergency switch | ✓ |
| Back-up alarm | ✓ |
| Rear-view camera with flat color display | ✓ |
| Seat belt interlock | ✓ |
| Extra LED lights in front | • |
| Blue safety light front and/or rear | • |
| Panoramic and/or side mirrors | • |
| Amber strobe lights | • |
| Weight scale | • |
| Weight indicator (hydraulic sensing type) | • |
| Orange seat belt | • |
| Combination lights | • |
| Red front safety light | • |
| Hydraulic accumulator | • |

RELIABILITY

| | |
|---|---|
| Full AC system chassis | ✓ |
| IP65-rated controller | ✓ |
| Robust frame structure & overhead guard | ✓ |
| Oil-cooled disc brakes (ODB) | ✓ |
| ZAPI electric motor | ✓ |
| DC/DC converter | ✓ |
| Under protection (belly plate) | • |
| Oil cooling exchange | • |

STANDARD EQUIPMENT & OPTIONS

ERGONOMICS

| | |
|-----------------------------------|---|
| Easy-to-read instrument panel | ✓ |
| Overhead guard | ✓ |
| Adjustable steering column | ✓ |
| Rear grab bar with horn | ✓ |
| Grammer suspension seat | ✓ |
| Steering wheel knob | ✓ |
| USB port | ✓ |
| Magnifica cab – tiltable full cab | • |
| Modular cabs type A, B, C & D | • |
| Heating ventilation module (HVM) | • |
| Fingertip console | • |
| Mini finger axis | • |
| Full cab (tiltable) | • |
| Grammer air suspension seat | • |
| Heater & air conditioner (HVAC) | • |
| Audio (DAB type radio, MP3) | • |
| Tiltable overhead guard | • |

PRODUCTIVITY

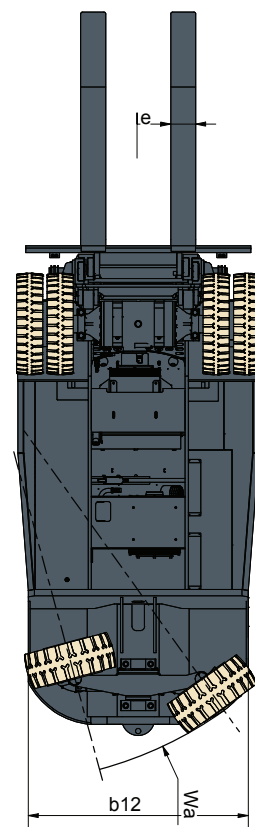
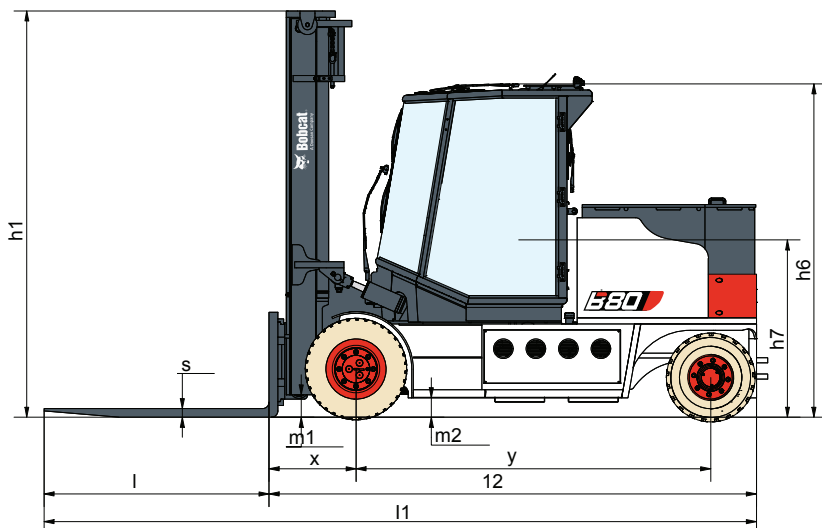
| | |
|---------------------------------------|---|
| Excellent visibility through mast | ✓ |
| Smooth and responsive acceleration | ✓ |
| Power steering | ✓ |
| Double pedal with brake in the center | • |
| Auto tilt leveling | • |

SERVICEABILITY

| | |
|-----------------------|---|
| Easy battery changing | ✓ |
| EasyView | ✓ |

- = option
- ✓ = standard
- = not available

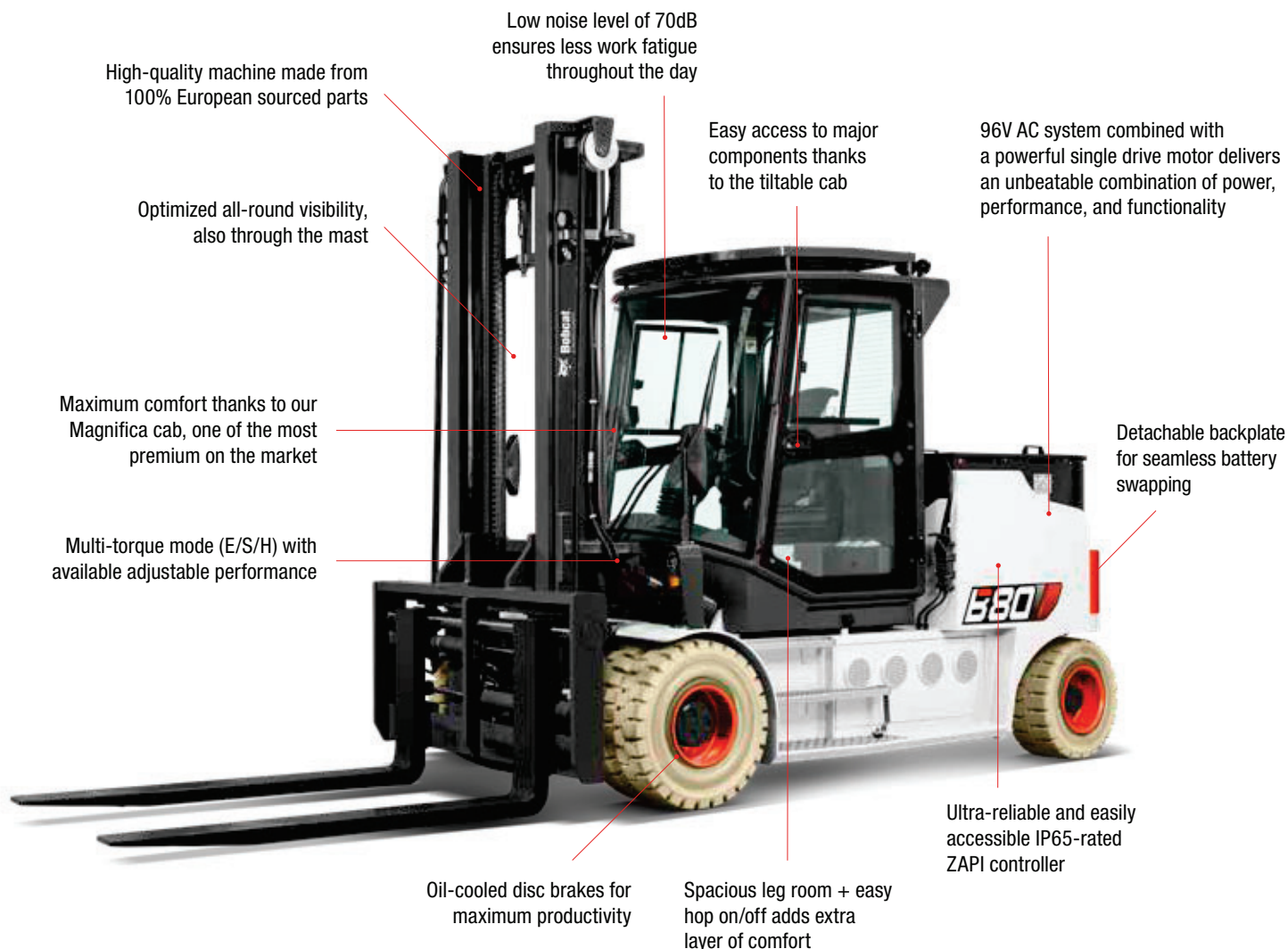
*This list is based on factory data.
Standard or optional can vary for specific countries.



BUILT TO LAST

▶ EXCELLENT RELIABILITY

Bobcat's high-capacity electric forklifts are built rugged for maximum uptime, low total cost of ownership (TCO), and unwavering dependability. This is achieved through a reliable AC controller and components, an effortless battery changing system, and a tiltable operator compartment for easy inspection.



Ihre Bezugsquelle



Unimax AG

Parallelstrasse 4
5606 Dintikon

056 616 70 30
info@unimax.ch
unimax-stapler.ch



Bobcat®

DOOSAN

Bobcat is a Doosan Company. Doosan is a global leader in construction equipment, power & water solutions, engines, and engineering proudly serving customers and communities for more than a century. | Bobcat and the Bobcat logo are registered trademarks of Bobcat Company in the United States and various other countries. ©2024 Bobcat Company. All Rights Reserved.

* Financing options may vary by country and dealer. Always ask your dealer about currently available financing options. Terms and conditions may apply.

Doosan Bobcat EMEA, U Kodetky 1810, 263 12 Dobříš, Czech Republic